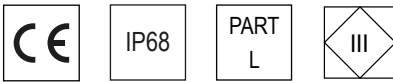


## CONFIGURE THIS PRODUCT



<b>MM</b>						
M1 micro	Material	Flange	Beam	Colour	Driver	
	C copper	S spot	16 16°	R red	I integral #	
	S s/steel	D diamond	37 37°	G green	R remote	
		M marker	84 84°	B blue		
			18+48 18°+48°	A amber		
			180 diamond 180°	WWW warm white 2700°K		
			360 diamond 360°	WW warm white 3000°K		
				NW neutral white 4000°K		
				CW cool white 5000°K		

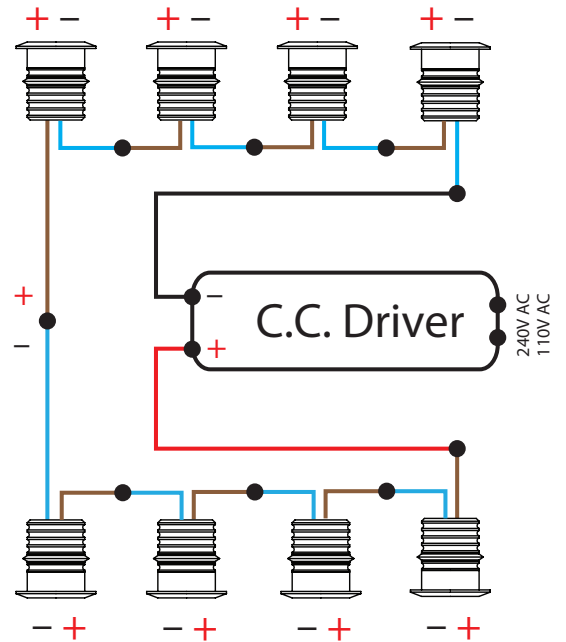
# Available in anti-siphon only



## SPECIFICATIONS

<b>Power</b>	up to 1 Watt , 60mA - 360mA
<b>Ingress Protection Rating</b>	IP68
<b>Cable</b>	H05RN - F 1/2 m included
<b>Material</b>	316 Stainless Steel , Copper
<b>Flange</b>	Spotlight Diamond perpendicular distribution Marker diffuse perpendicular distribution
<b>Removable Light Engine</b>	Pin mounted 1W Cree XTE Chip
<b>Colour Temperature</b>	Warm White 2700°K Warm White 3000°K Neutral White 4000°K Cool White 5000°K Red, Green, Blue, Amber
<b>CRI</b>	Ra 85
<b>Efficacy</b>	55 Lm/W (Spotlight version)
<b>Spotlight Optic Degrees</b>	16°, 37°, 84°, 18°+ 48° oval
<b>Input Current</b>	60 - 360mA
<b>Warranty</b>	LED Warranty 5 years Body Warranty 10 years
<b>Input Current</b>	350mA Constant Current (Remote) 12V AC (Integral)

## INSTALLATION FOR REMOTE DRIVER WIRED IN SERIES



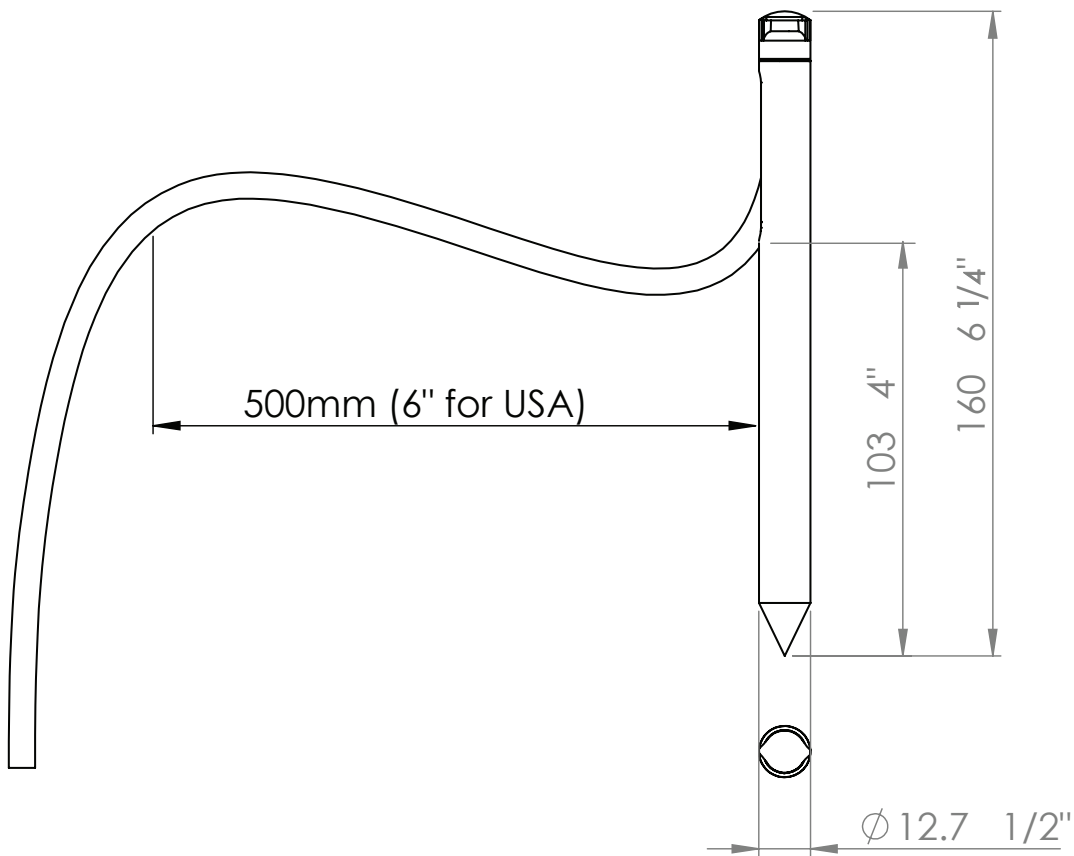
## INSTALLATION INSTRUCTIONS

Connect in series. IP68 connector recommended. Never switch the output of a constant current driver. Driver must be switched off when connecting LED's to prevent damage.

## PRODUCT NOTES

Discrete miniature lighting of the highest quality. Precise two step LED binning by Cree allows LuxR products to be situated close to one another ensure the same colour temperature without fear of any variance in colour.

**DIAMOND DIMENSIONS** Available in Spot, 180° or 360° aperture



**MARKER DIMENSIONS**

